

TESTIMONIALS

Users

"does what it says on the tin, brilliant, so simple, well done, and thank you" West Yorkshire

"wheelchair bag is great, used it when away on our hols in our motorhome, very easy to move around and provides good cover, makes work of moving wheelchair a lot easier, thank you so much" North Wales

"thanks very much for your speedy, prompt delivery.... very pleased with the colour and quality" Tyne & Wear

"bag is superb" Colchester

"very pleased with the bag, something we have been waiting for...it will be ideal for travelling" Essex

"absolutely delighted with it" Olverston

Health professional

"I found it to be durable, extremely easy & very quick to use and reasonably priced. I feel it would be extremely useful in many care settings where wheelchairs are being loaded into vehicles...."

Manual Handling Consultant

"This bag clearly helps to protect the car and wheelchair, a feature that is important to a great number of my clients, as well as giving distinct mechanical advantages during the manual handling task of loading the wheelchair into the vehicle.

Since I first saw it, and tried it out, I have been really impressed by the simple ergonomic and functional design, and it is a product I have been more than happy to recommend to carers, family members and clients...."

Mobility Dealer

"The quality is good and the usability is too....."



SUTHERLAND
HEALTH
GROUP PLC

A HEALTH INNOVATION PARTNERSHIP



SUTHERLAND
HEALTH
GROUP PLC

A HEALTH INNOVATION PARTNERSHIP

ABOUT US

Biston® produces British made ergonomic products which are designed to lighten the load and address issues of load handling. The brand's two current products the Biston Point of Care Bag and the Biston L.I.T.E Wheelchair Bag were both developed by Sue Barton and Jean Bish who are experienced chartered physiotherapists.

Biston® is part of Sutherland Health Group Plc a supplier of innovative health care brands and products to the UK National Health Service (NHS) and other UK customers.

The Group is ISO and MHRA registered and has quality at the core of its business.

**BISTON® – CONTAINING AND
LIGHTENING THE LOAD**

Visit our website at

www.biston.co.uk

email us at info@sutherlandhealth.com

or call +44(0)1635 874488

Biston® L.I.T.E. Wheelchair Handling Bag



The unique design, with strategically placed handles, not only contains the load, but makes it 'feel' lighter

THE BISTON® L.I.T.E. WHEELCHAIR BAG

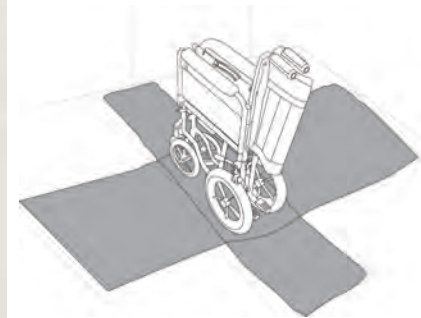
An ergonomically designed wheelchair handling bag



The Biston® L.I.T.E. Wheelchair bag has been designed by physiotherapists to reduce the risk of injury while manoeuvring wheelchairs. The bag features strategically placed handles which increase stability when lifting a wheelchair, they also improve grip. Manoeuvring a wheelchair using the L.I.T.E Bag enables the user to maintain good body posture, by preventing overreaching and eliminating twisting.

Manufactured in the UK by Sutherland Health Group Plc the L.I.T.E. Bag is made from durable fabric with superior stitching, zips and fastenings. The fabric not only enables protection of the wheelchair and the vehicle but facilitates 'slide' thus reducing the risk whilst manoeuvring the wheelchair.

- An ergonomically designed wheelchair handling bag that not only contains the load, but makes it feel lighter.
- Can accommodate the majority of self propelled, and attended, folding wheelchairs.
- Ideal for manoeuvring the wheelchair in/out of vehicles.
- Ideal for travelling, contents can be contained securely by locking the zips together.
- Enables the wheelchair to be safely stored in one piece, including footplate cushions.
- Could be used with a variety of other pieces of equipment including walkers and shower chairs.
- Delivered in a sealed pack with full guidelines for use.



L.I.T.E. BAG MEASUREMENTS

FOLDED	37 x 26 x 6cms (14.5 x 10 x 2")
IN USE	H 85cms (33.5")
	W 75cms (29.5")
	D 35cms (14")